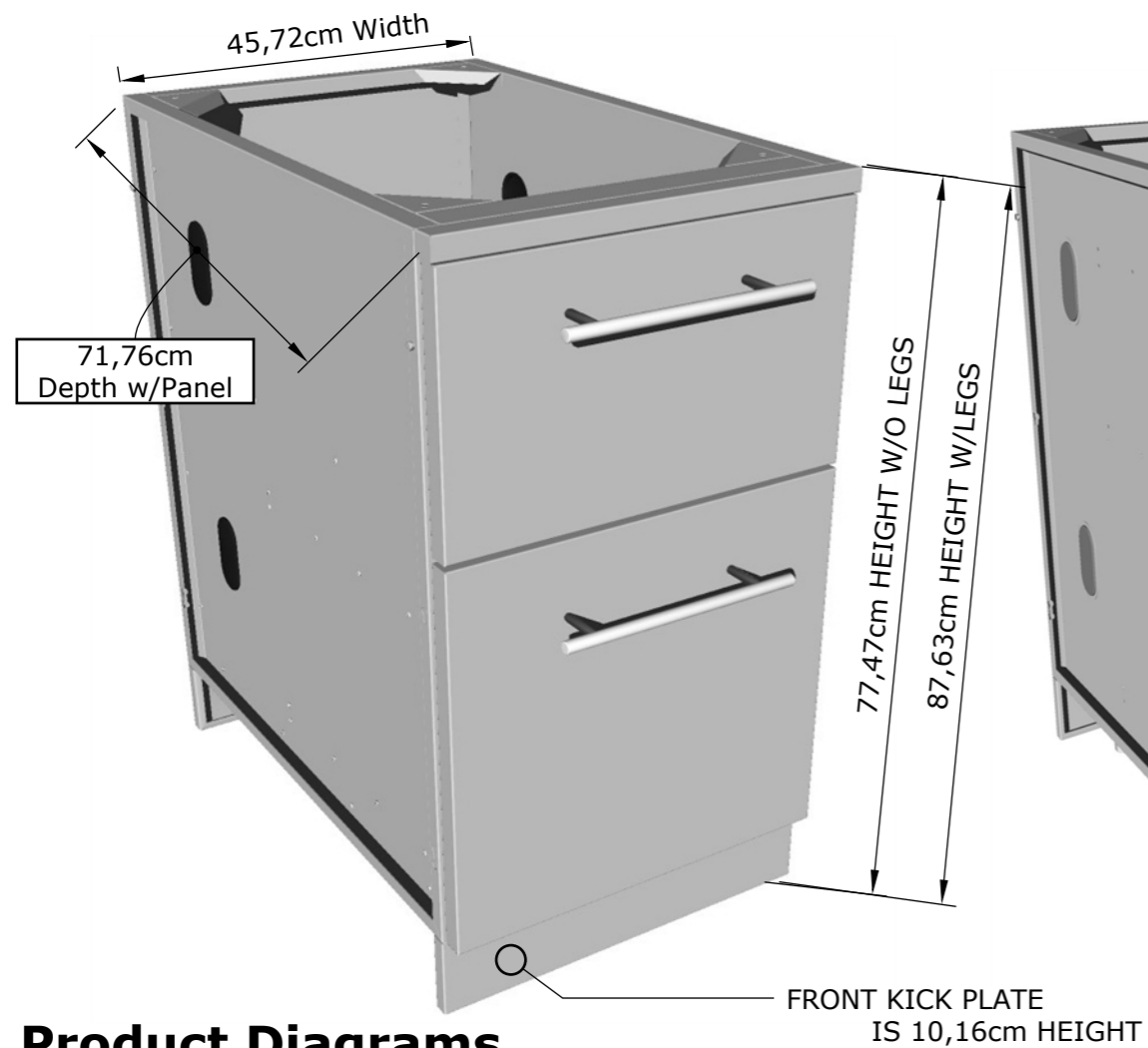
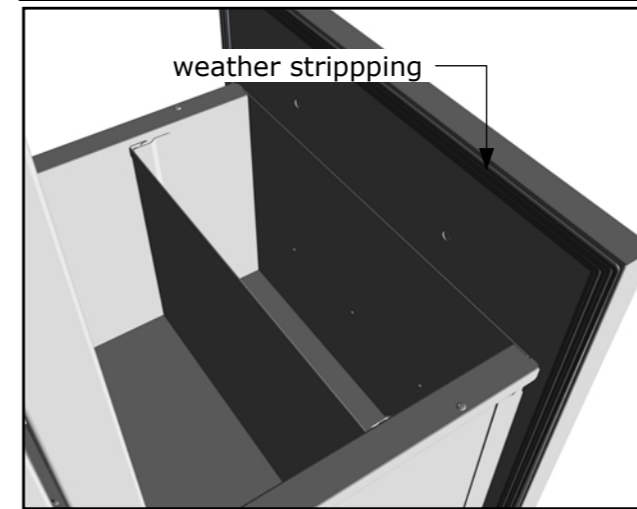
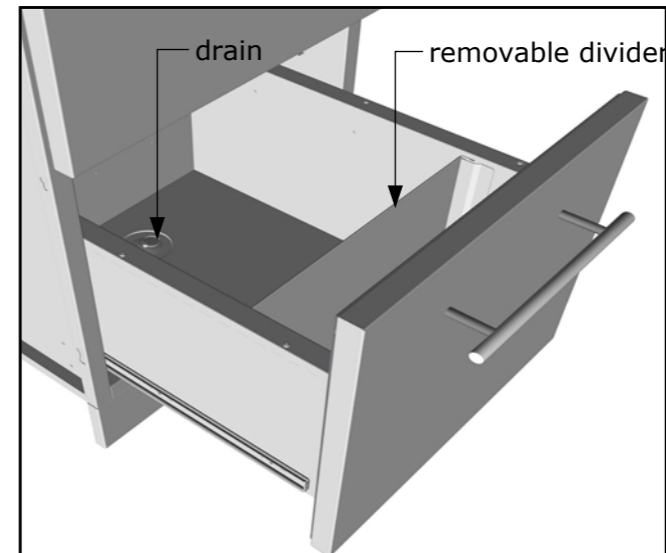


Product Dimensions



Product Configurations



SUNSTONE
OUTDOOR KITCHENS

Av. Combatentes do Ultramar, 184
2715-776 Lameiras, Sintra, Portugal
Tel: (+351) 219 670 073
Email: info@sunstoneoutdoorkitchens.com

PRODUCT

Paper Towel/Cutlery Drawer w/
Insulated Ice Chest Dry Storage
Drawer
Item No. SBC18DPIC

- Lifetime Structure Warranty
- 304 Stainless Steel Structure
- Front & Back Kick-Plates
- Easy Pin-Lock Installation
- Covered Access Ports
- Adjustable Peg-Legs
- Optional Wheel Casters
- Rain Gutter on Both Drawers
- Paper Towel & Cutlery Drawer
- Weather Stripping
- Dry Storage Pantry Drawer
- Cutting Board
- Flexible Drain

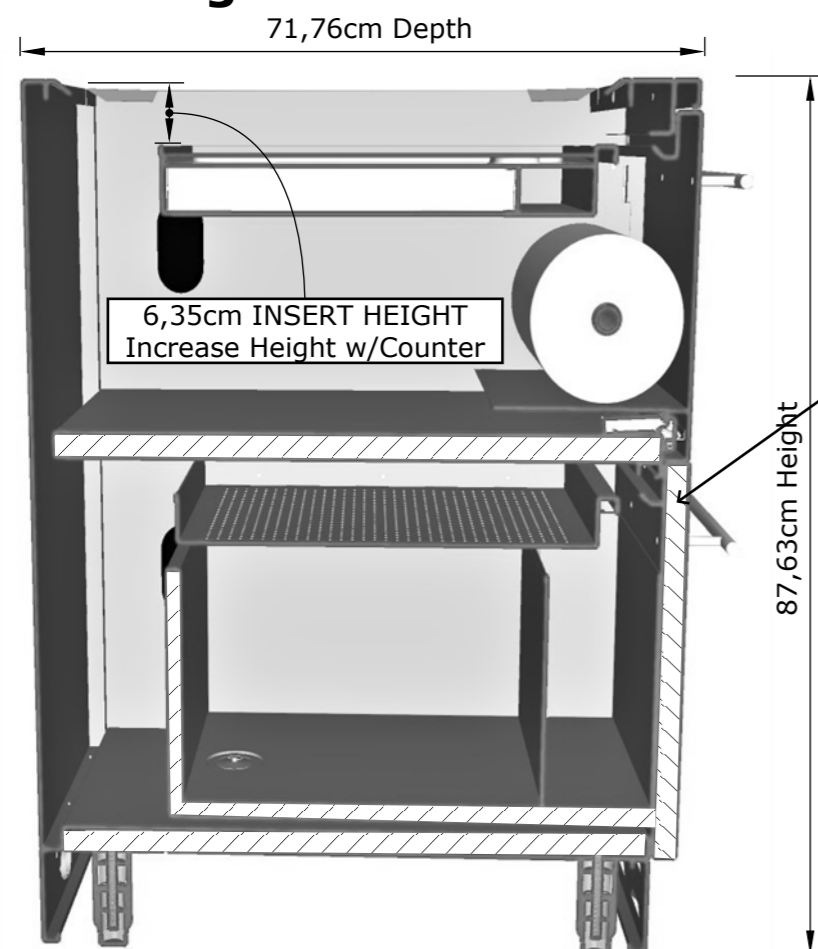
PRODUCT DIMENSIONS

45,72cm W x 71,76cm D (w/Doors) x 87,63cm H (w/Legs) or 77,47cm H (no Legs) or Upto 91,44cm Max Adjustable Height

MATERIAL SPECS

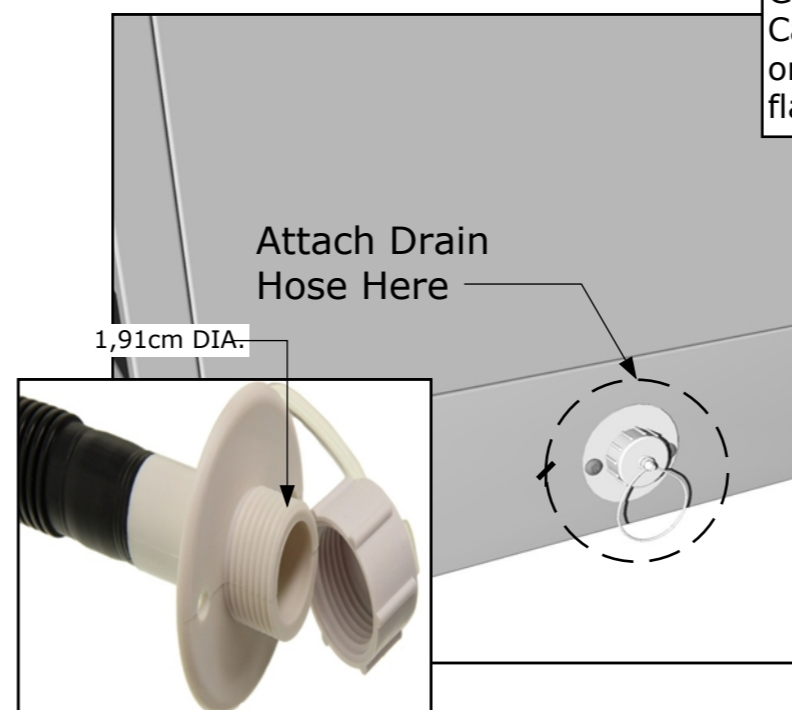
304 Stainless Steel for the Entire Structure, 20 Gauge for Door Panel, 20 Gauge for Cabinet Panel, 304 SS Peg Legs, 304 SS Rod Handles

Product Diagrams

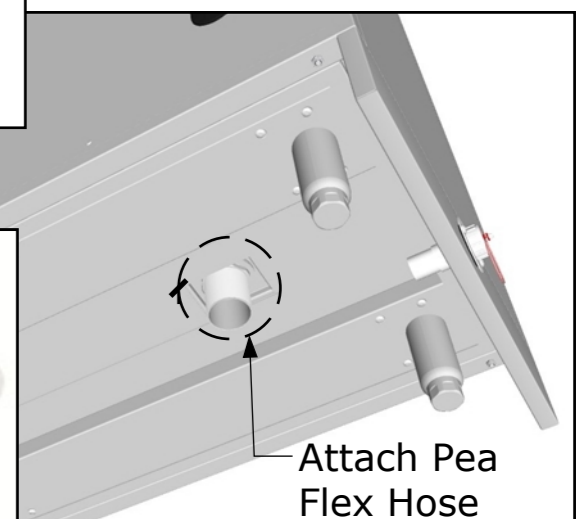


Double Walled Insulated Drawer & Lower Box

Cabinet has Bottom Drain, with Flex Hose you can attach a standard Garden Hose to outside back of Cabinet Polypropylene drain trap on one end and ABS plastic evacuation flange on the other end.



Includes 63,5cm of 1,91cm diameter hose.



ADA COMPLIANT LEGS/KICKPLATES NOT AVAILABLE ON THIS CABINET BECAUSE OF DRAIN