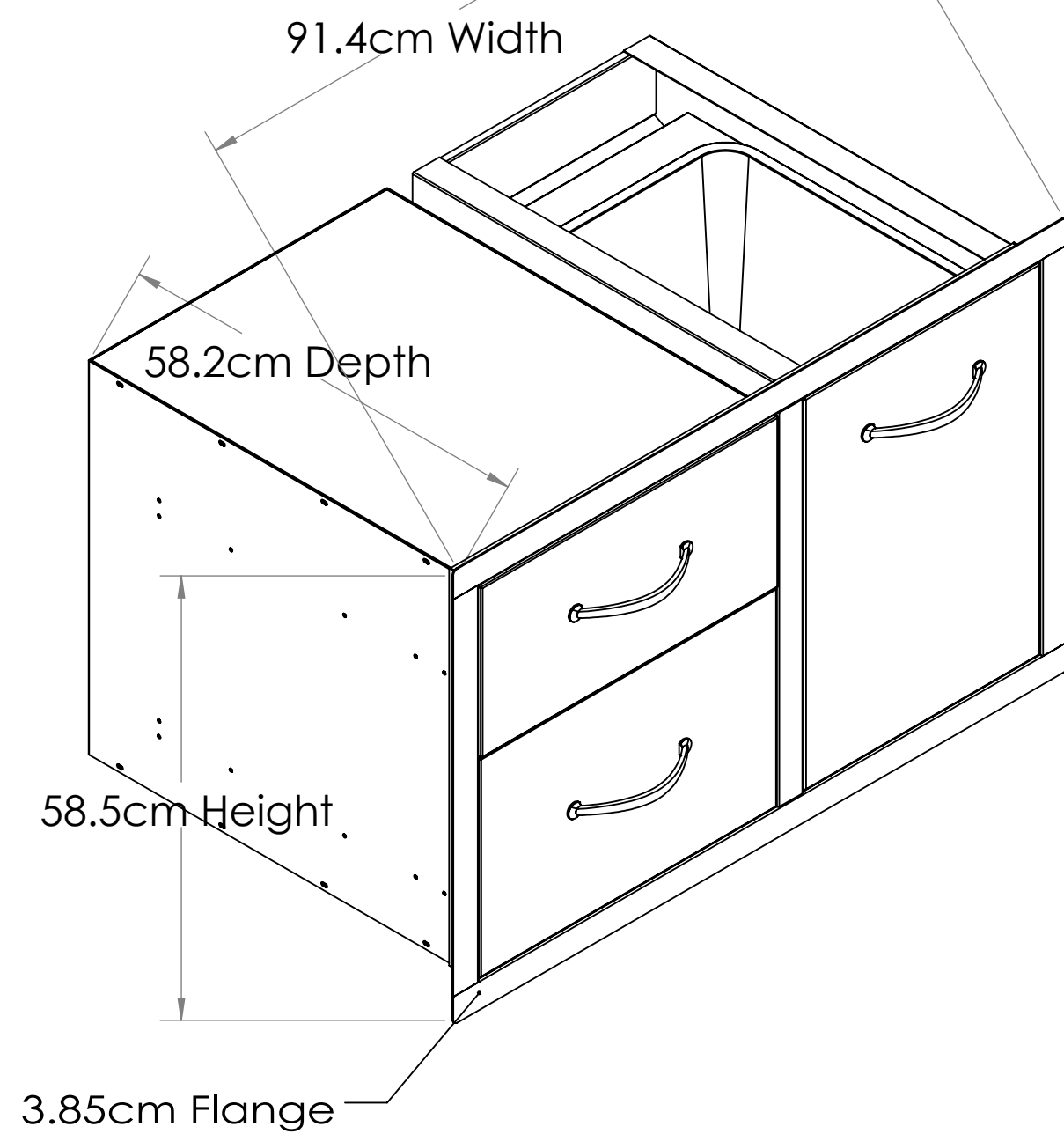
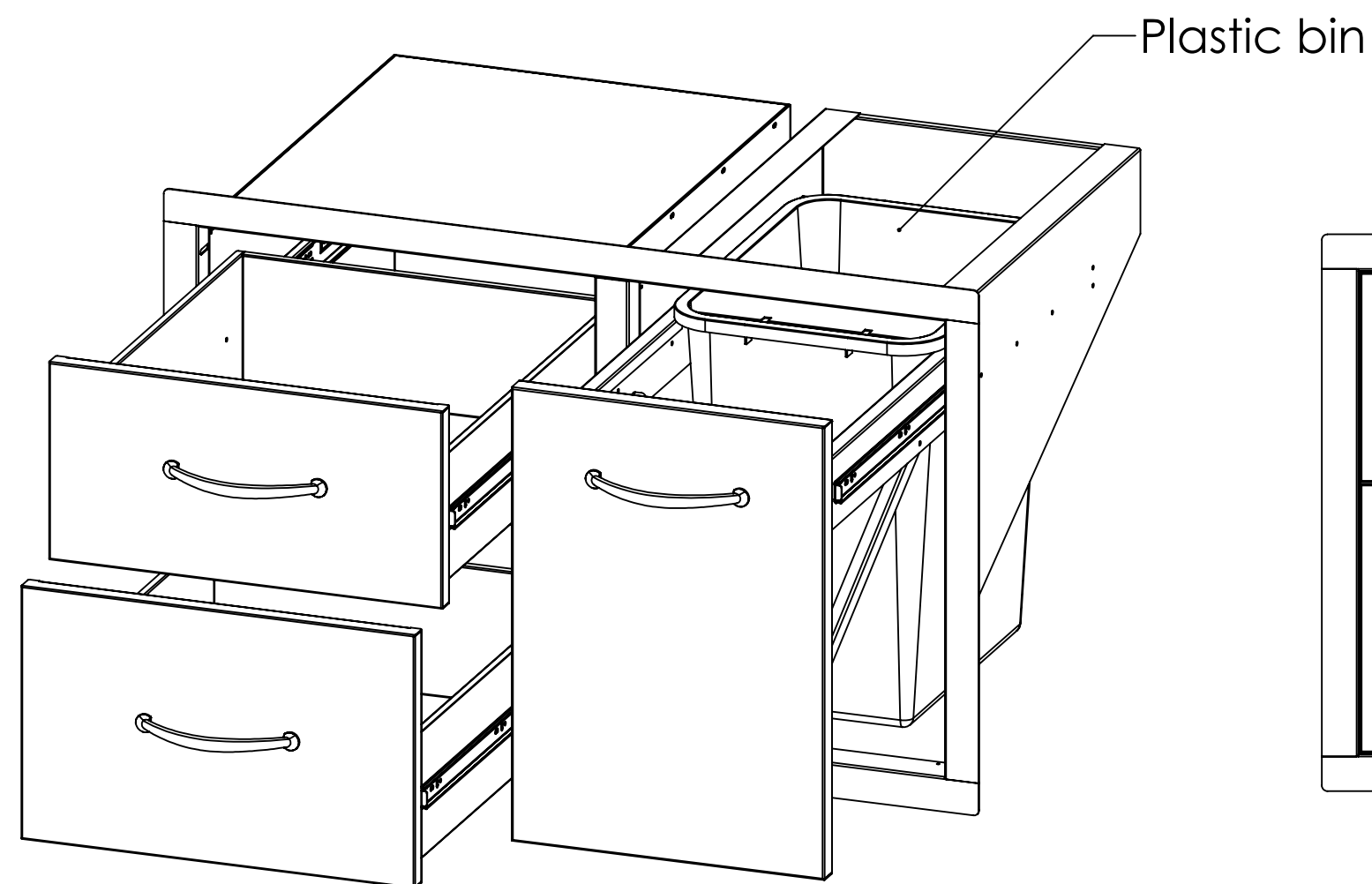
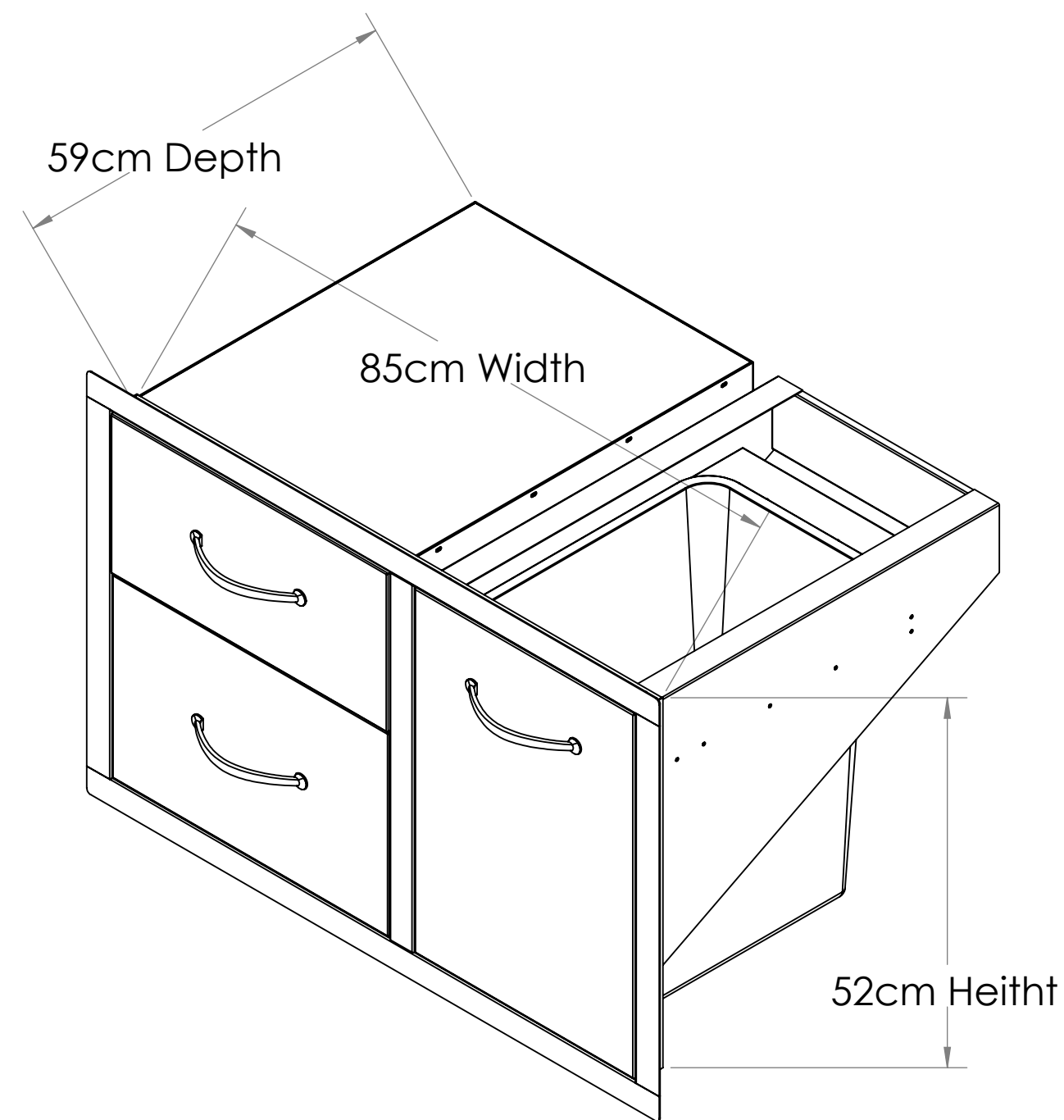


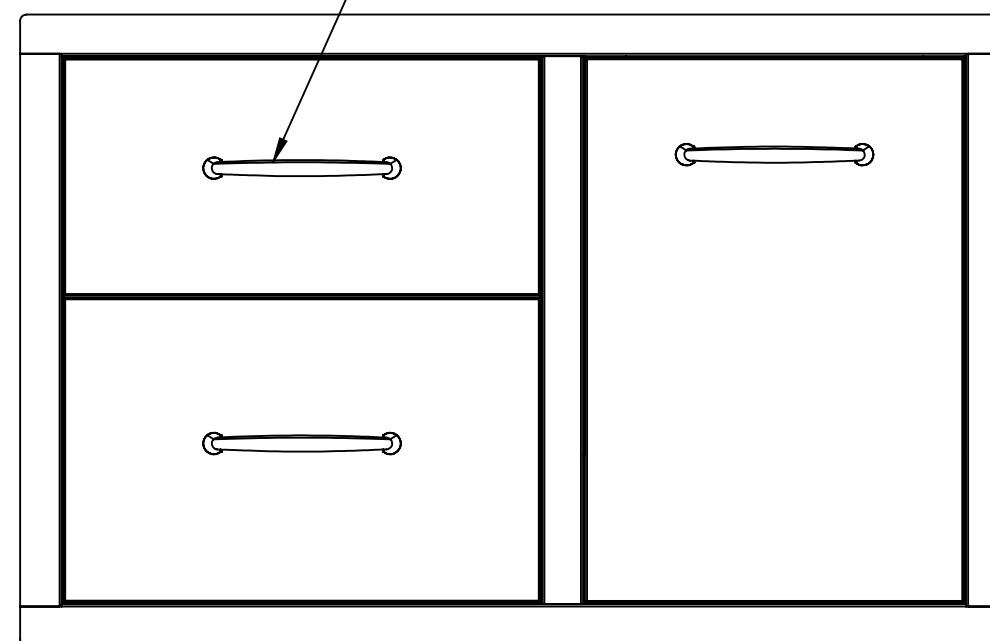
Product Dimension



Cut-out Dimension



Handles are made with Zinc Alloy, Chrome Plated



Av. Combatentes do Ultramar, 184
2715-776 Lameiras, Sintra, Portugal
Tel: (+351) 219 670 073
Email: info@sunstoneoutdoorkitchens.com

PRODUCT

Item No. A-LPCDD36

DESCRIPTION

36" COMBO TANK TRAY DOUBLE
DRAWER UNIT WITH PLASTIC BIN

PRODUCT DIMENSION

Product Dimension(cm): 91,4W x 58,2D x 58,5H

Cut Out Dimension(cm): 85 W x 59 D x 52 H

Package Size (cm): 99 x 64 x 63

Product Weight (kg): 35,2

Package Weight (kg): 40,5

MATERIAL SPEC

1.5mm 304 Stainless Steel Frame

1.2mm Door,

1.0mm 201SS for Drawer Box

Handles are made with Zinc Alloy, Chrome Plated.