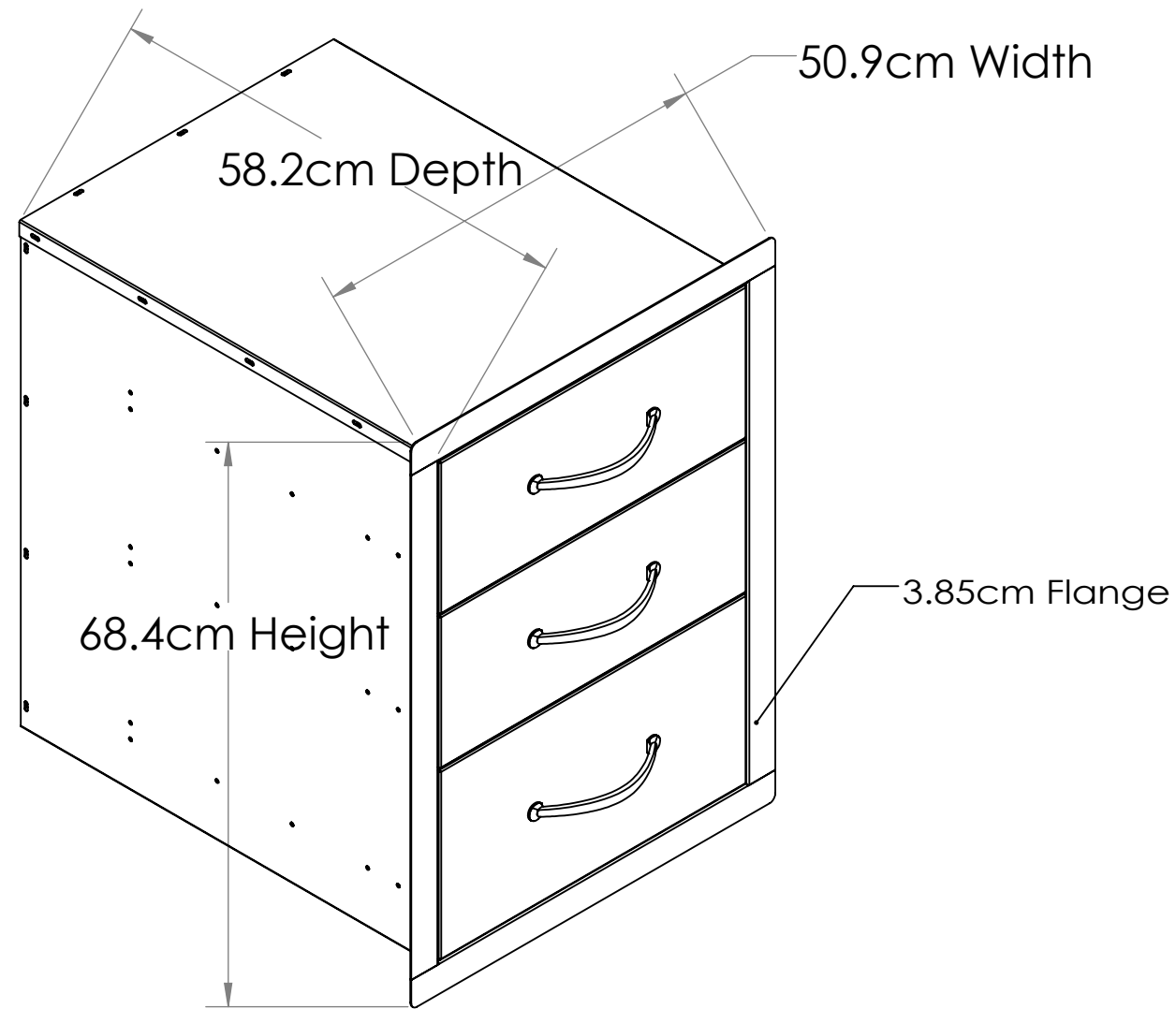
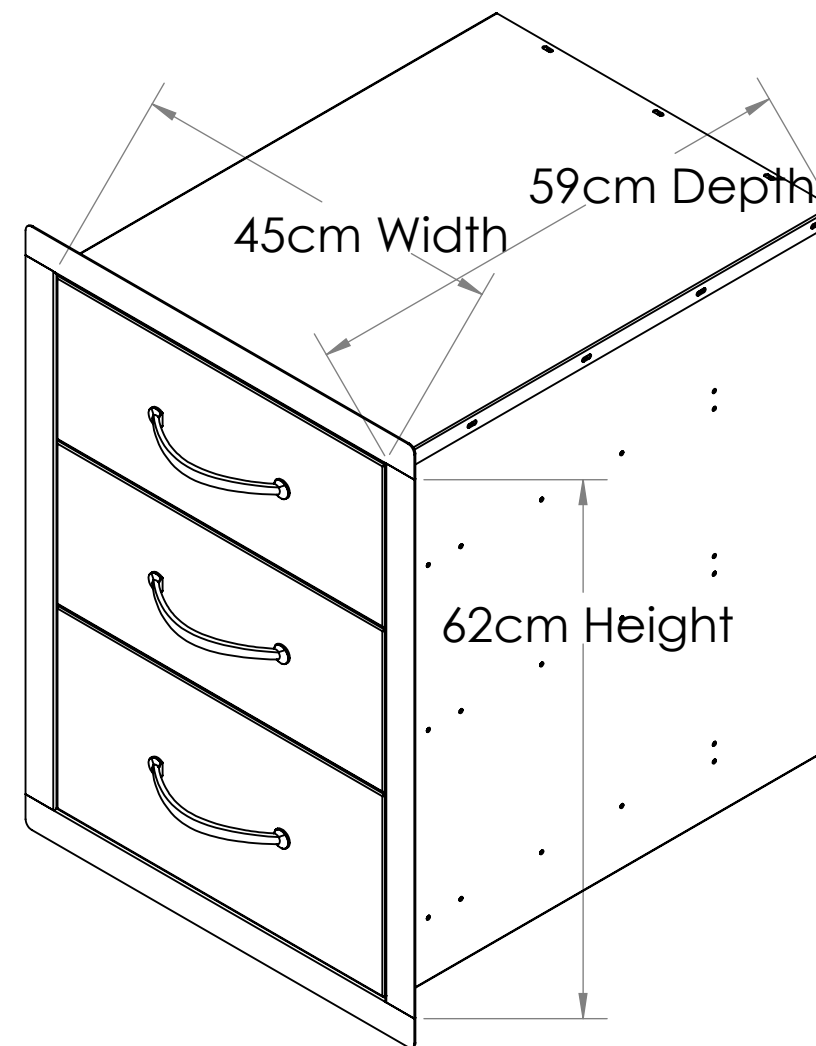




Product Dimension



Cut-out Dimension



Av. Combatentes do Ultramar, 184
2715-776 Lameiras, Sintra, Portugal
Tel: (+351) 219 670 073
Email: info@sunstoneoutdoorkitchens.com

PRODUCT
Item No. B-TD24

DESCRIPTION
Large Triple Drawer

PRODUCT DIMENSION
Product Dimension(cm): 50.9W x 58.2D x 68.4H
Cut Out Dimension(cm): 45W x 59D x 62H
Package Size (cm): 76 x 58 x 62.5
Product Weight (kg): 28.5
Package Weight (kg): 32.0

MATERIAL SPEC
1.5mm 304 Stainless Steel Frame
1.2mm Drawer Panels
1.0mm 201SS Drawer Box
Handles are made with Zinc Alloy, Chrome Plated.

